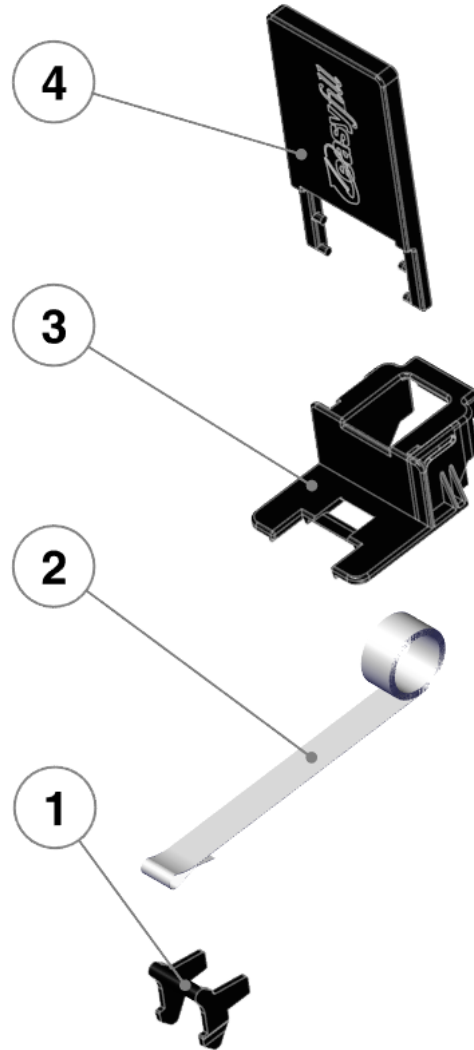


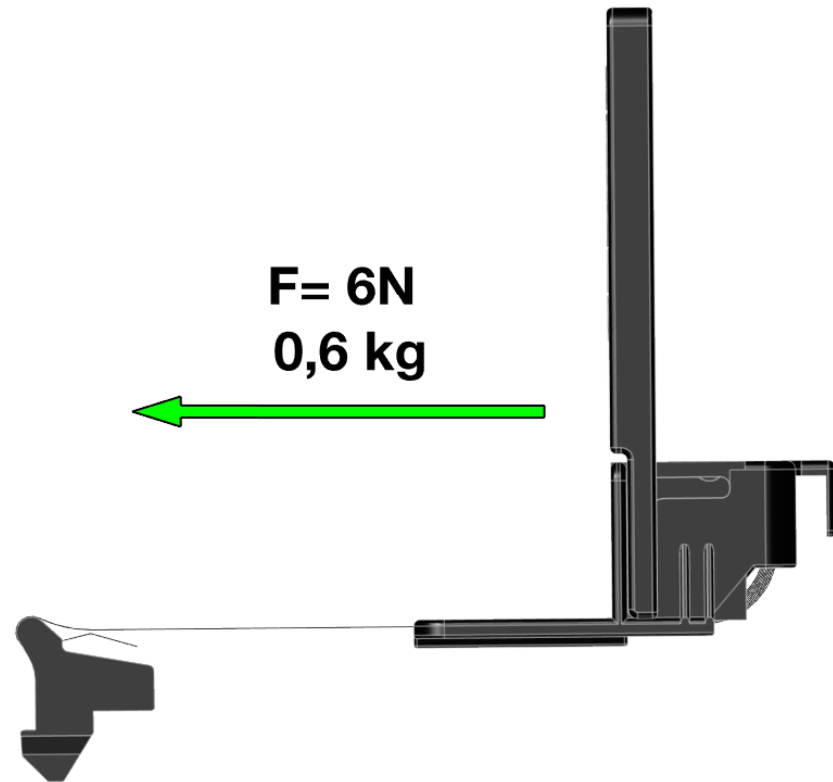
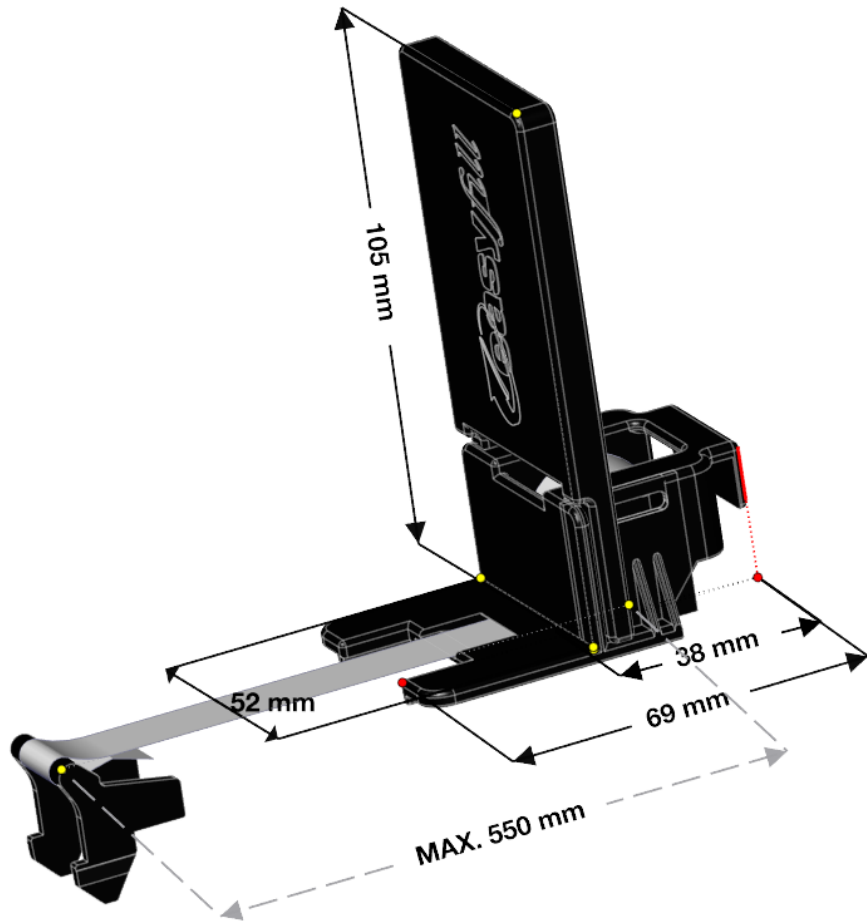
# Installation manual PUSHER



# 0118-PUSHER

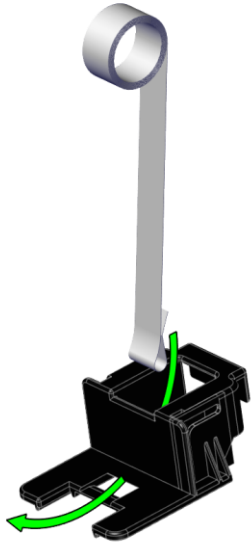


BOM ID	ART. NO
1	0118-00005-0
2	0118-00010-0
3	0118-00001-0
4	0118-00003-0

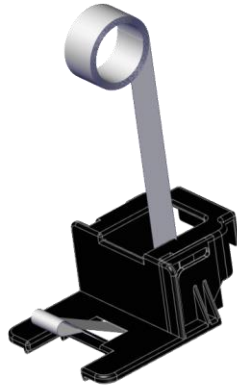


# INSTALLATION

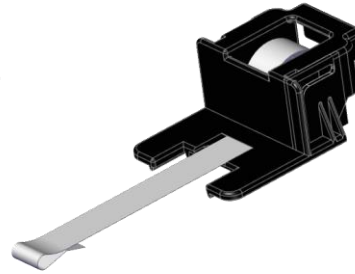
1



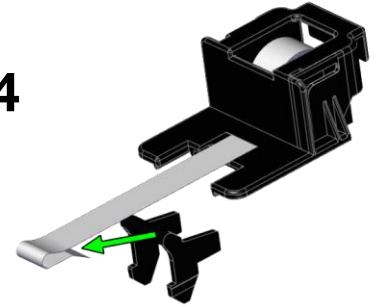
2



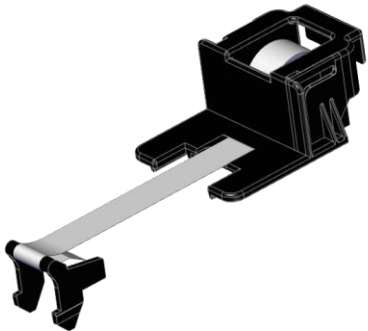
3



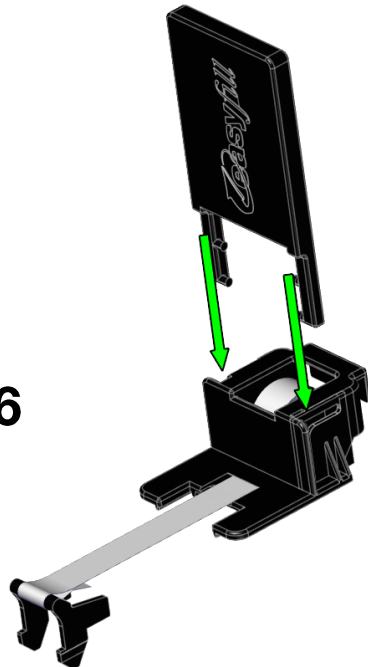
4



5



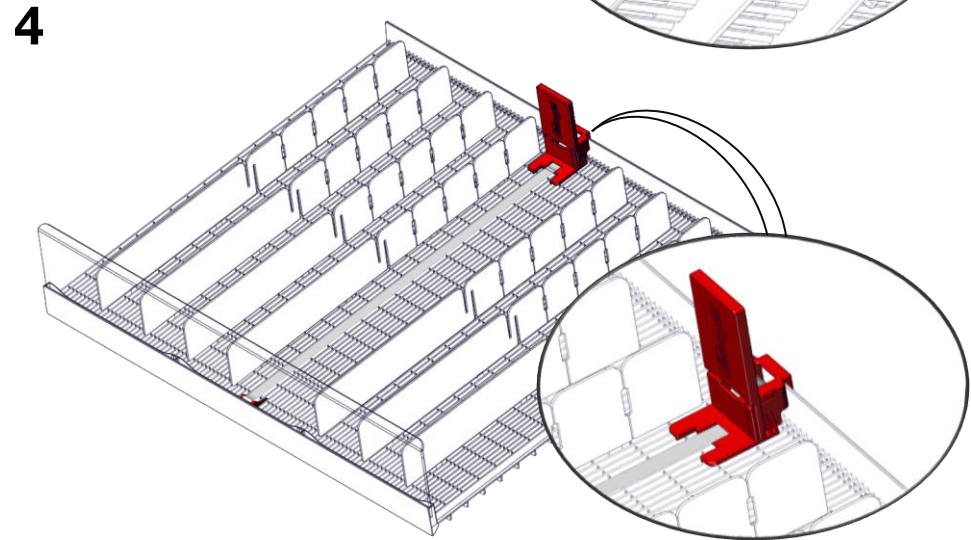
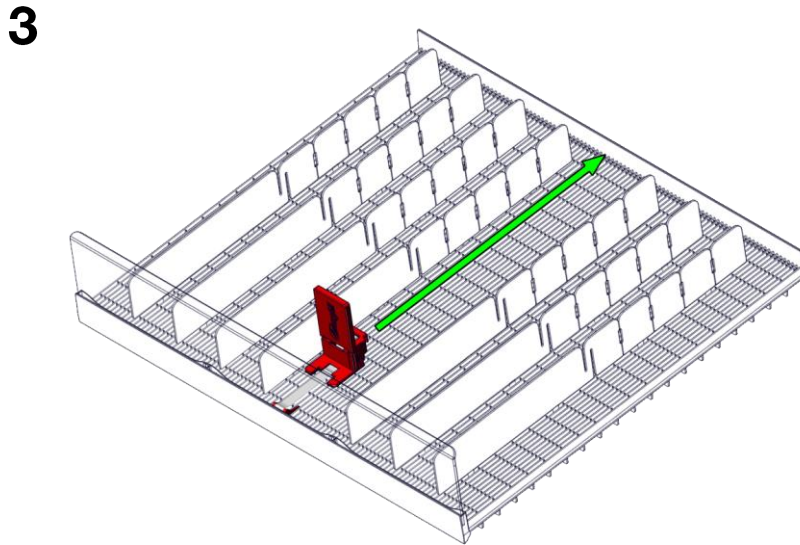
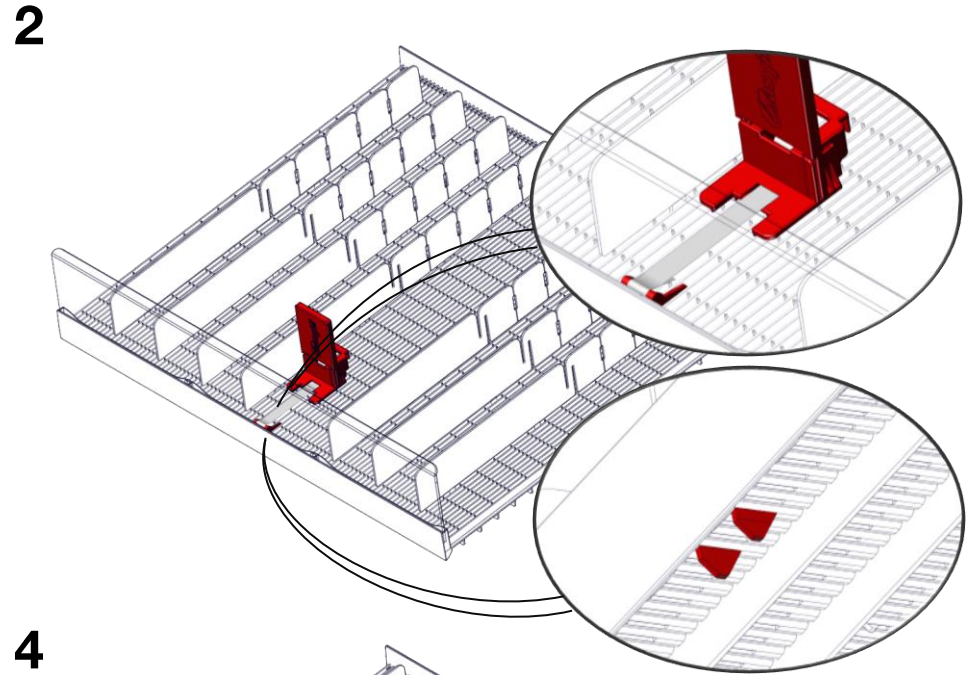
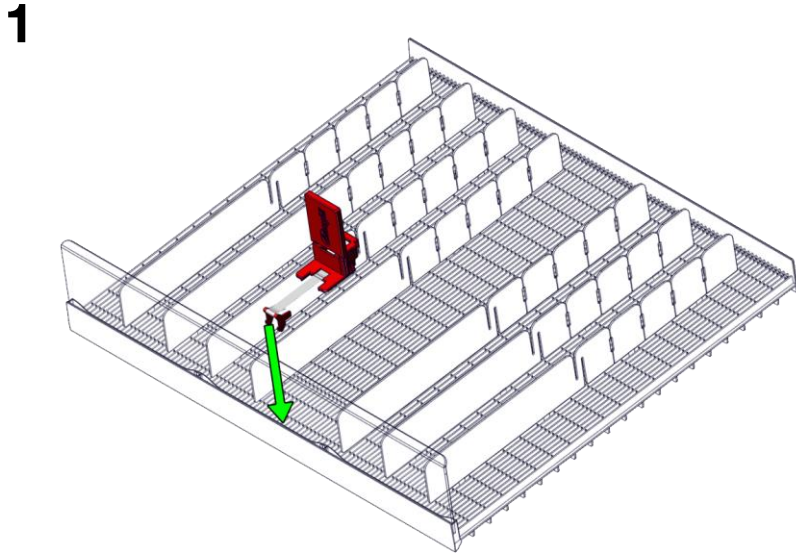
6



7



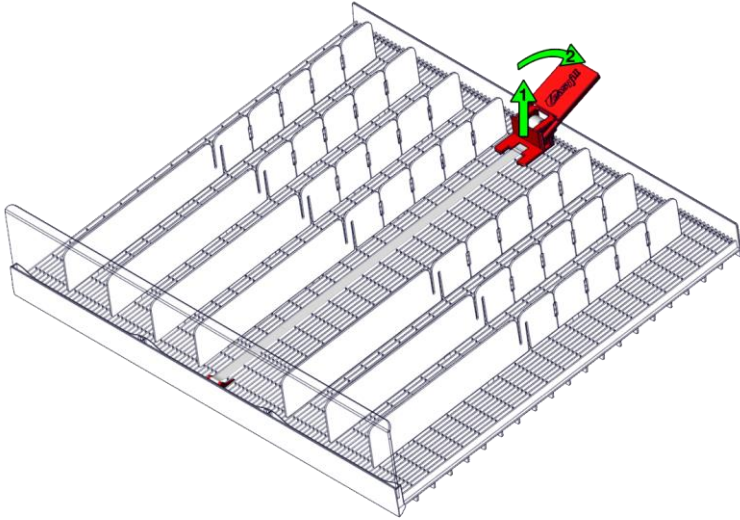
# INSTALLATION INTO SHELF



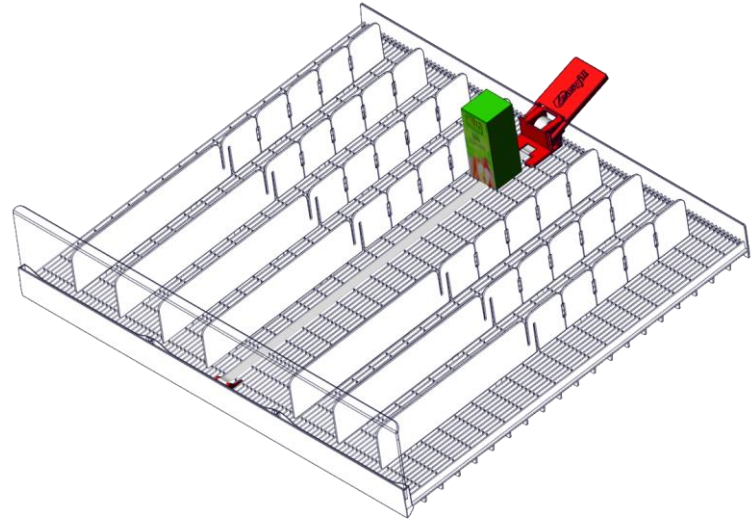


# INSTALLATION INTO SHELF

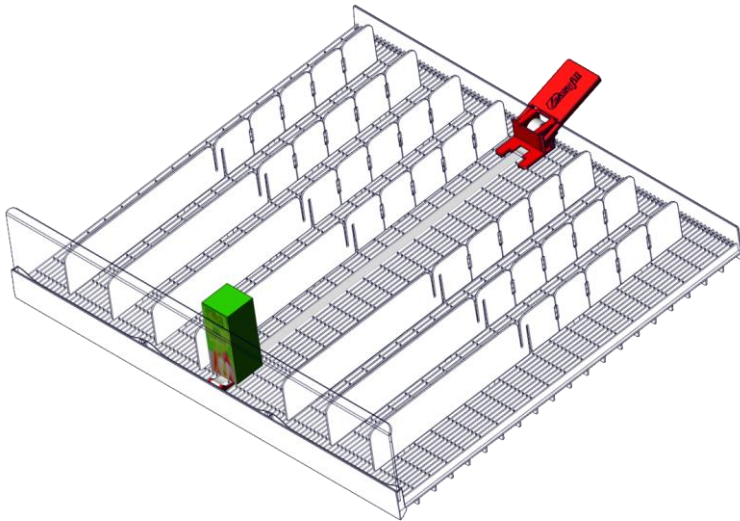
5



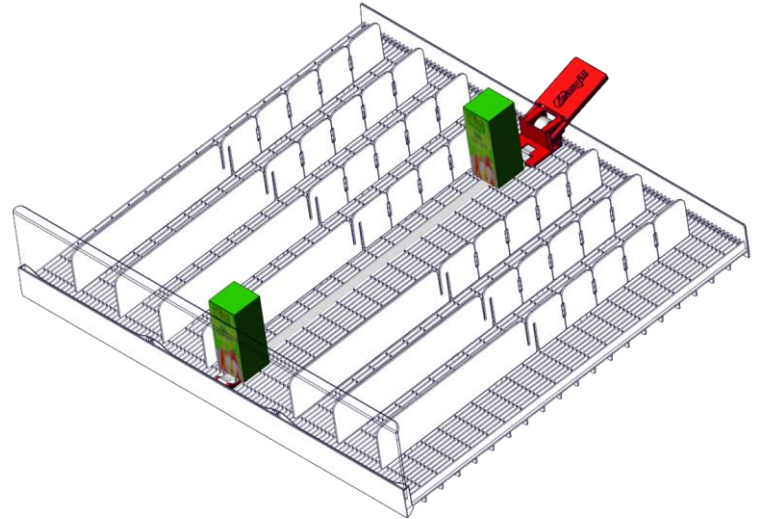
6



7

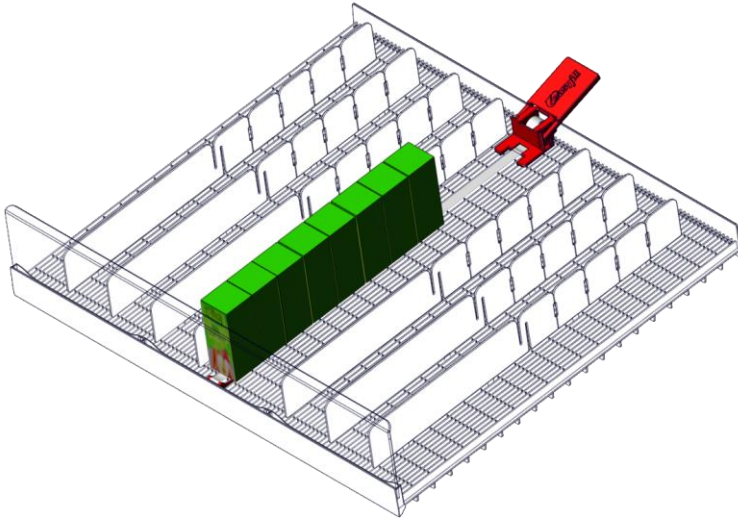


8

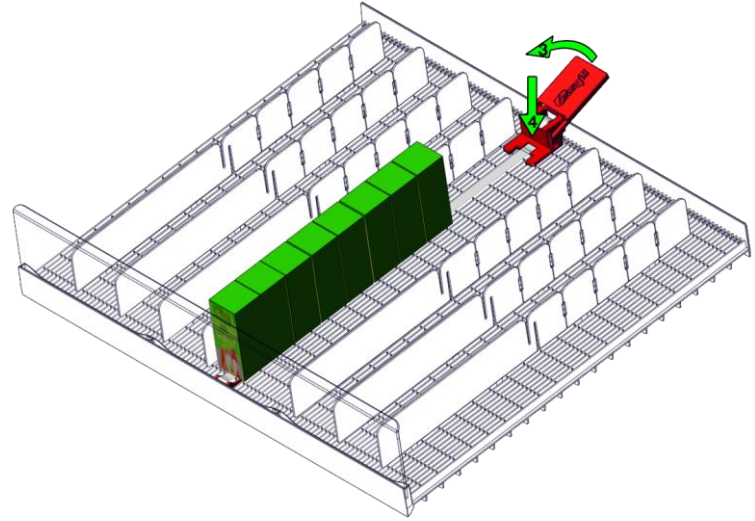


# INSTALLATION INTO SHELF

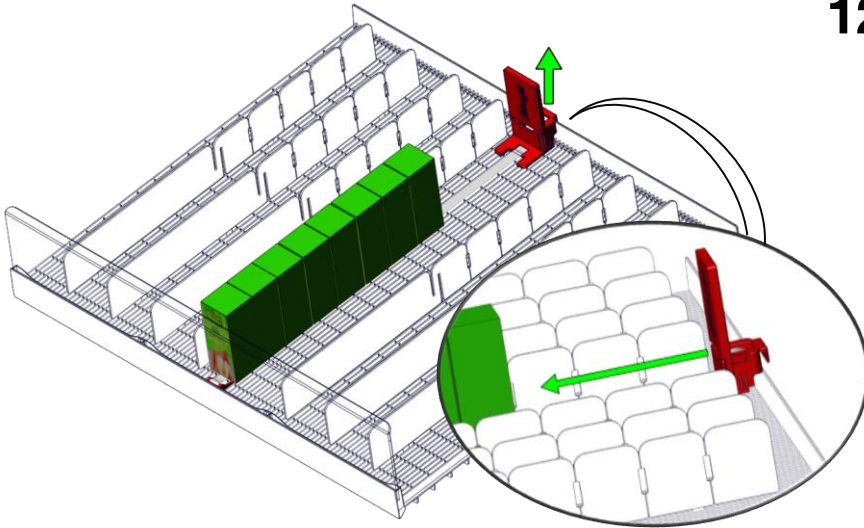
9



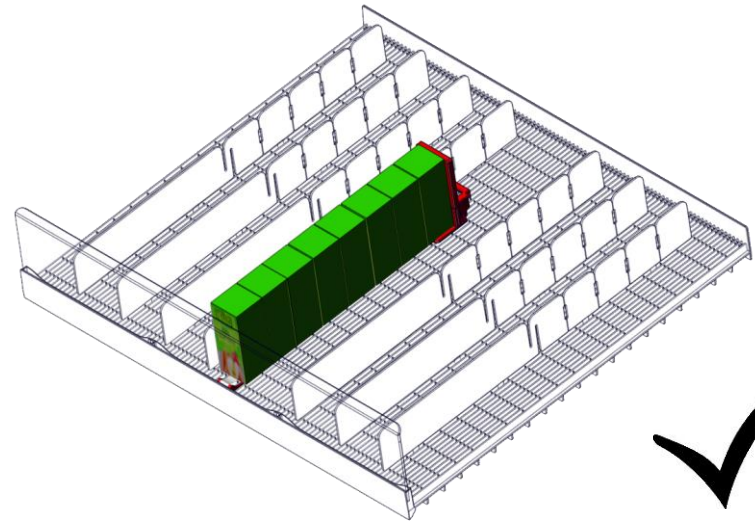
10



11

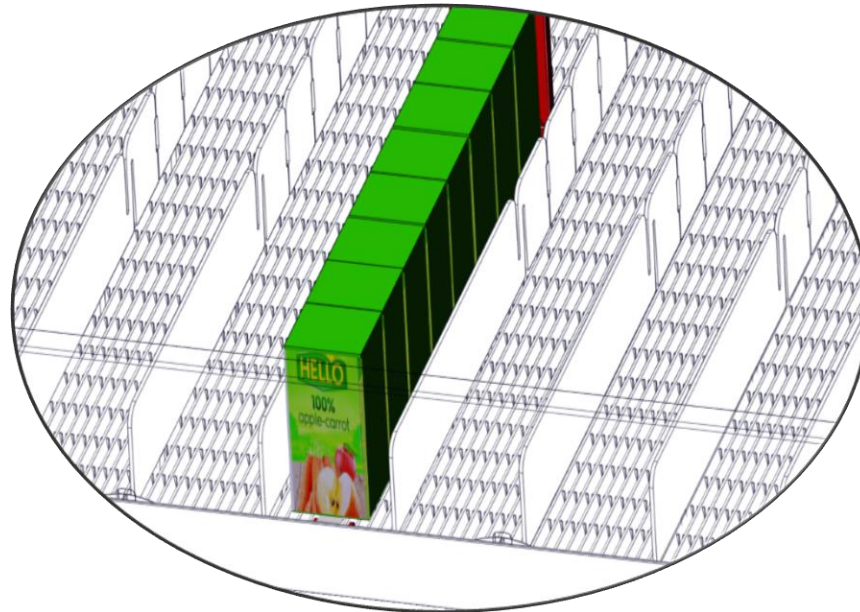
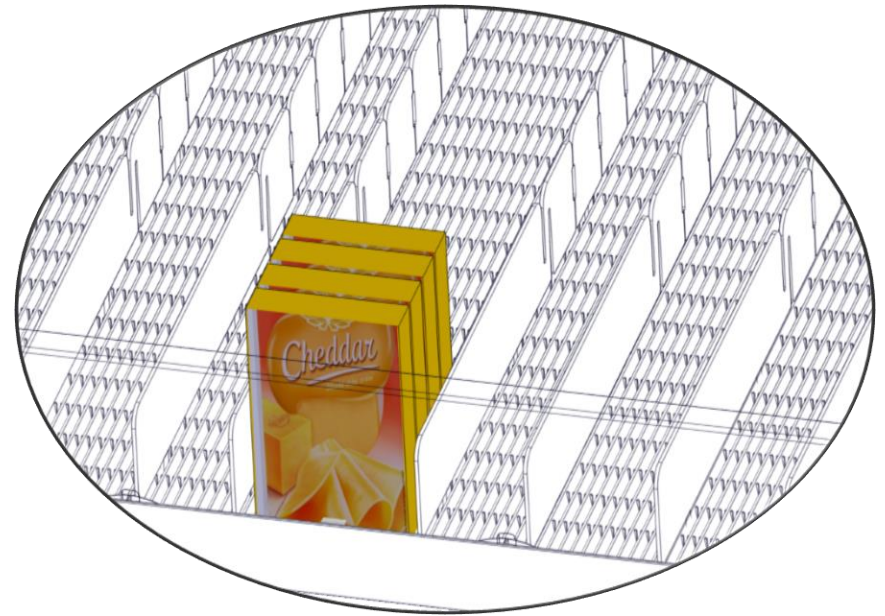


12





# EXAMPLES OF USE





**Thanks!**  
**[www.easyfill.se](http://www.easyfill.se)**

**ALL PICTURES SHOWN ARE FOR ILLUSTRATION PURPOSE ONLY.  
ACTUAL PRODUCT MAY VARY DUE TO PRODUCT ENHANCEMENT.  
ALL CHANGES ARE RESERVED BY EASYFILL.**